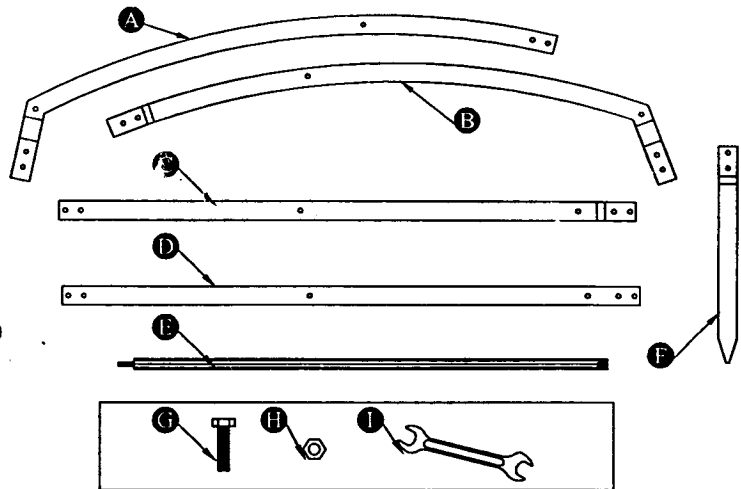




BASIC PERGOLA - ASSEMBLY INSTRUCTIONS - (6 Pages)

Because the Basic Pergola weighs 107 lbs in total, it is shipped to you on the same day in 3 separate packages marked X, Y and Z. And there are 3 tracking numbers. Please make sure you have received these 3 packages. If one is missing, please call our Customer Service number below, during business hours - so we can help you get all the parts complete.

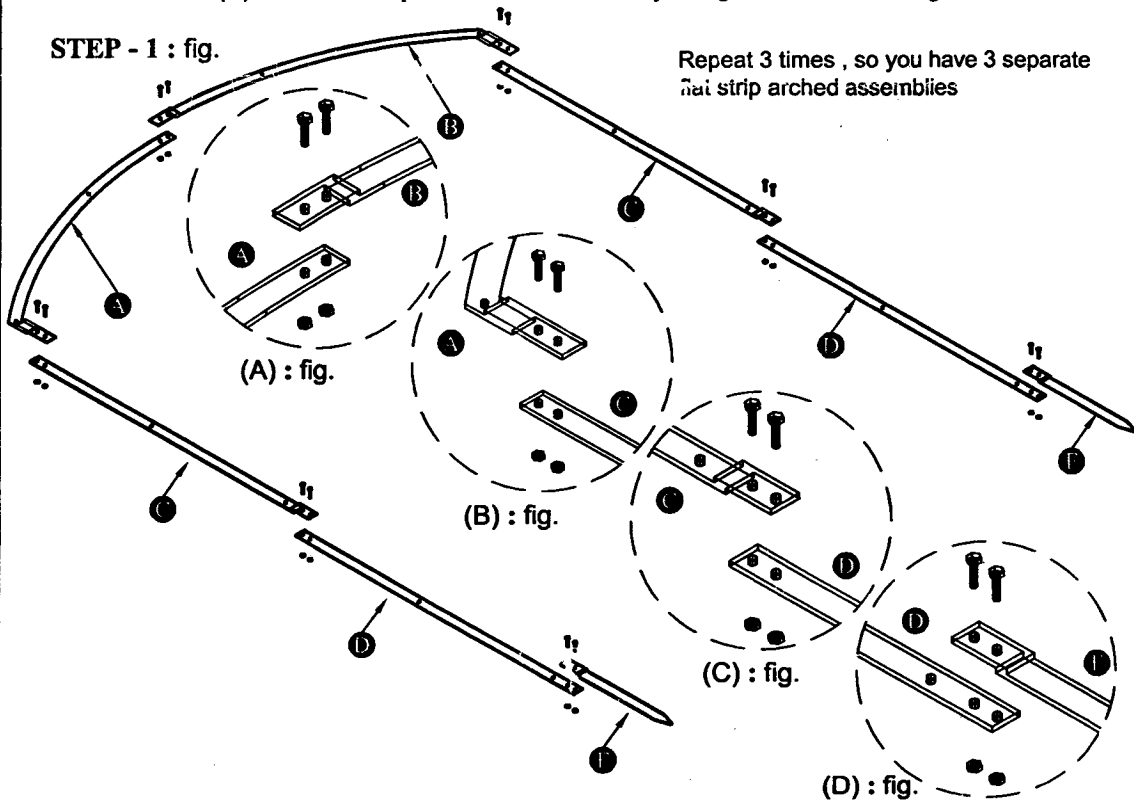
PARTS LIST	QTY	
A. Top Strip	3	} Box (X)
B. Top Strip with bracket	3	
C. Straight Strip with bracket	6	} Box (Y)
D. Straight Strip	6	
E. Horizontal Tube	24	} Box (Z)
F. Ground Spikes	6	
G. Bolt	54	
H. Nut	54	
I. Wrench	2	



STEP - 1 : Take out all parts from cartons X Y Z and count all as per list shown above.

- (A) - Take top curved strip A and B and join together as shown in figure.
- (B) - Add Straight Strip with bracket C and join together as shown in figure.
- (C) - Add Straight Strip D and join together as shown in figure.
- (D) - Add Ground Spikes with bracket F and join together as shown in figure.

STEP - 1 : fig.



Repeat 3 times , so you have 3 separate arched assemblies

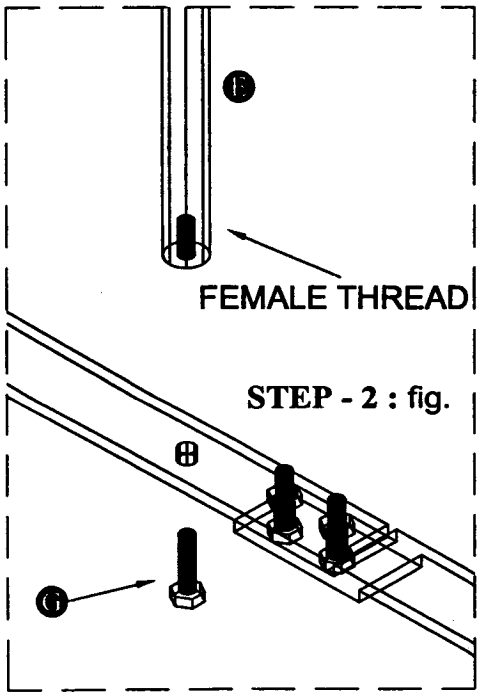
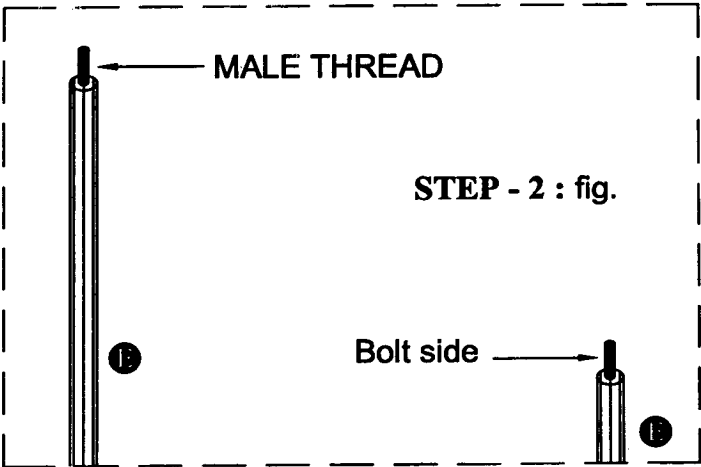
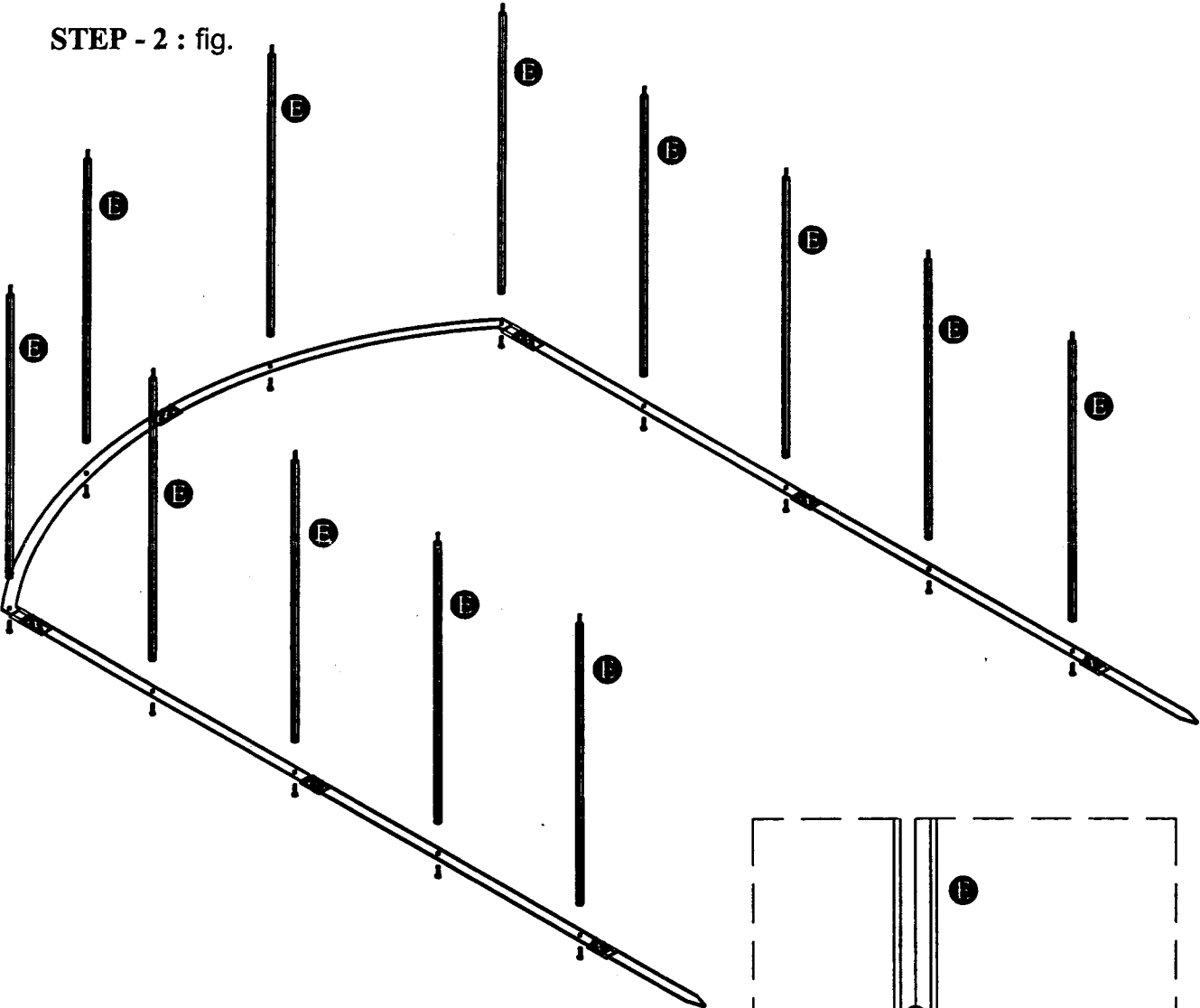
* Work on level hard surface. after Assembly several people can carry pergola to final site. It is good to have two people for assembly it weight - 107 lbs.

Contact Us
Call Toll Free (24 hours a day)
1-800-733-4146
Customer Service (Monday-Friday, 9am-5pm EST)
1-800-733-4129
E-mail : kinsco@kinsmangarden.com

PERGOLA - ASSEMBLY INSTRUCTIONS

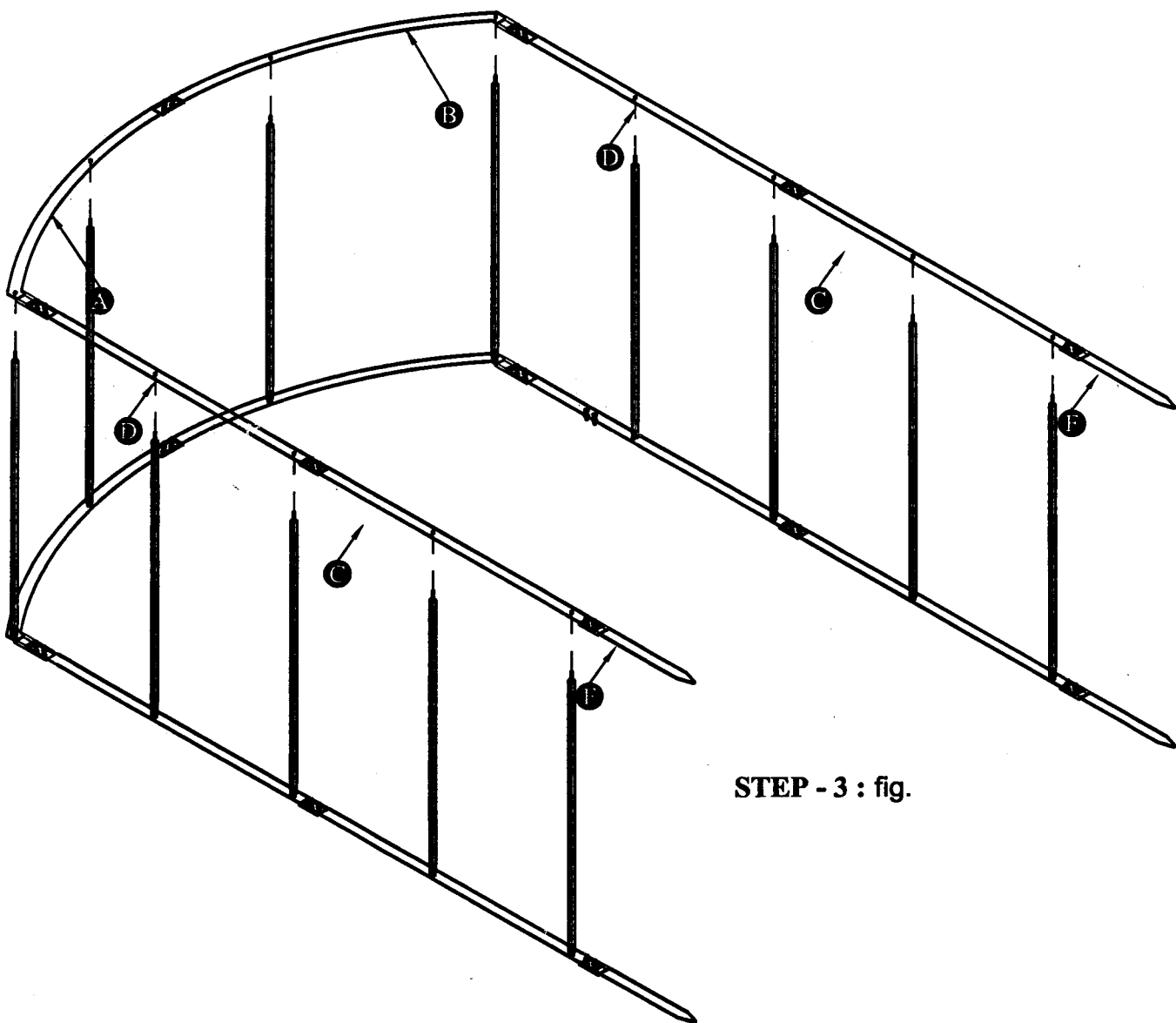
STEP - 2 : Put the one Arch Side Section on ground and put bolts through underside. Rotate female thread of horizontals on to the bolts and tighten bolts with wrenches

STEP - 2 : fig.



PERGOLA - ASSEMBLY INSTRUCTIONS

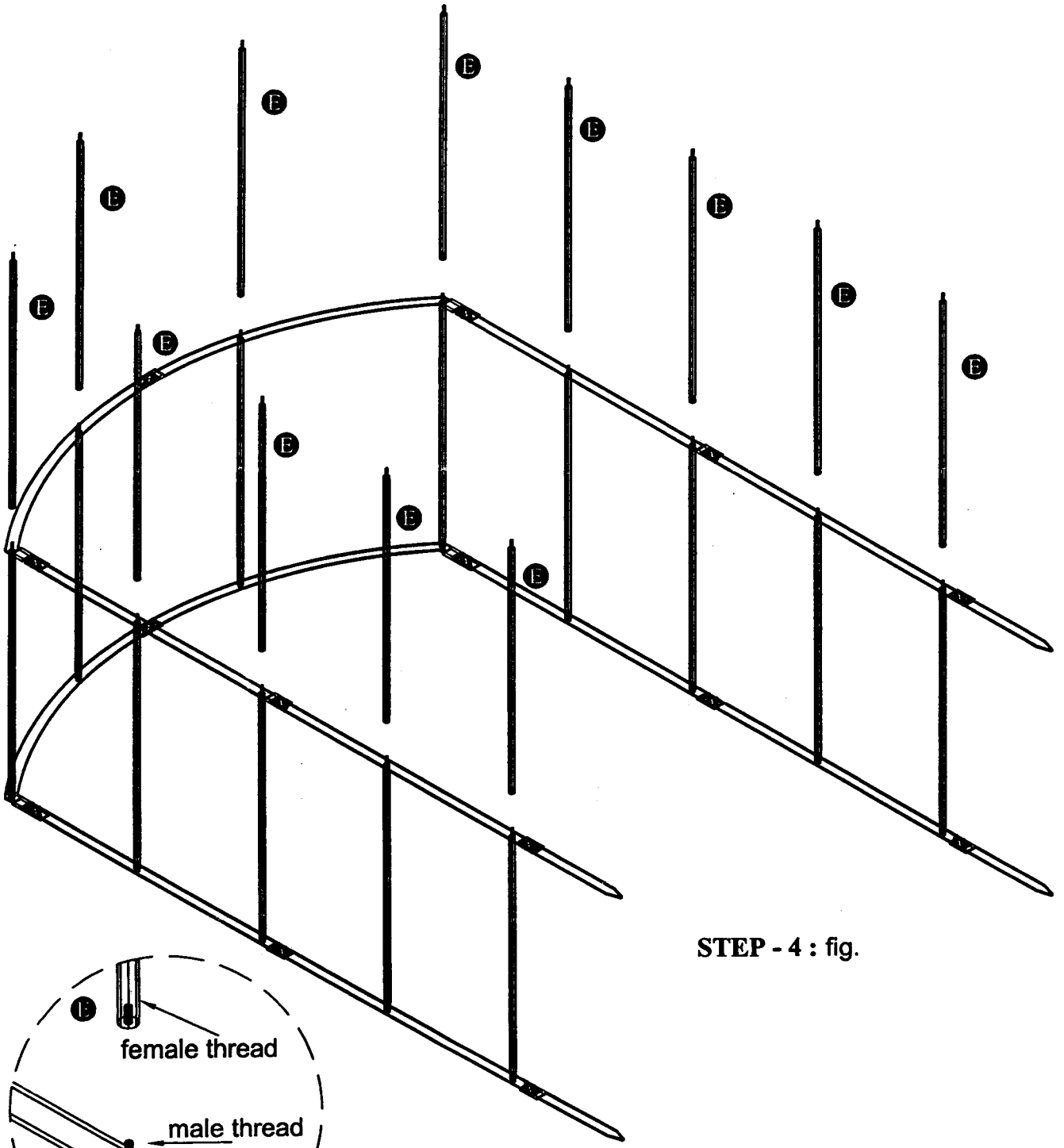
STEP - 3 : Take one more Arch assembly frame and put it onto the horizontal. as shown in figure



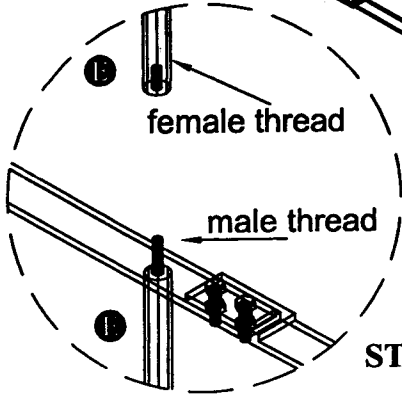
STEP - 3 : fig.

PERGOLA - ASSEMBLY INSTRUCTIONS

STEP - 4 : in the same way take 12 horizontal and tighten them onto the Bolts of Assembled Arch as shown in figure .



STEP - 4 : fig.

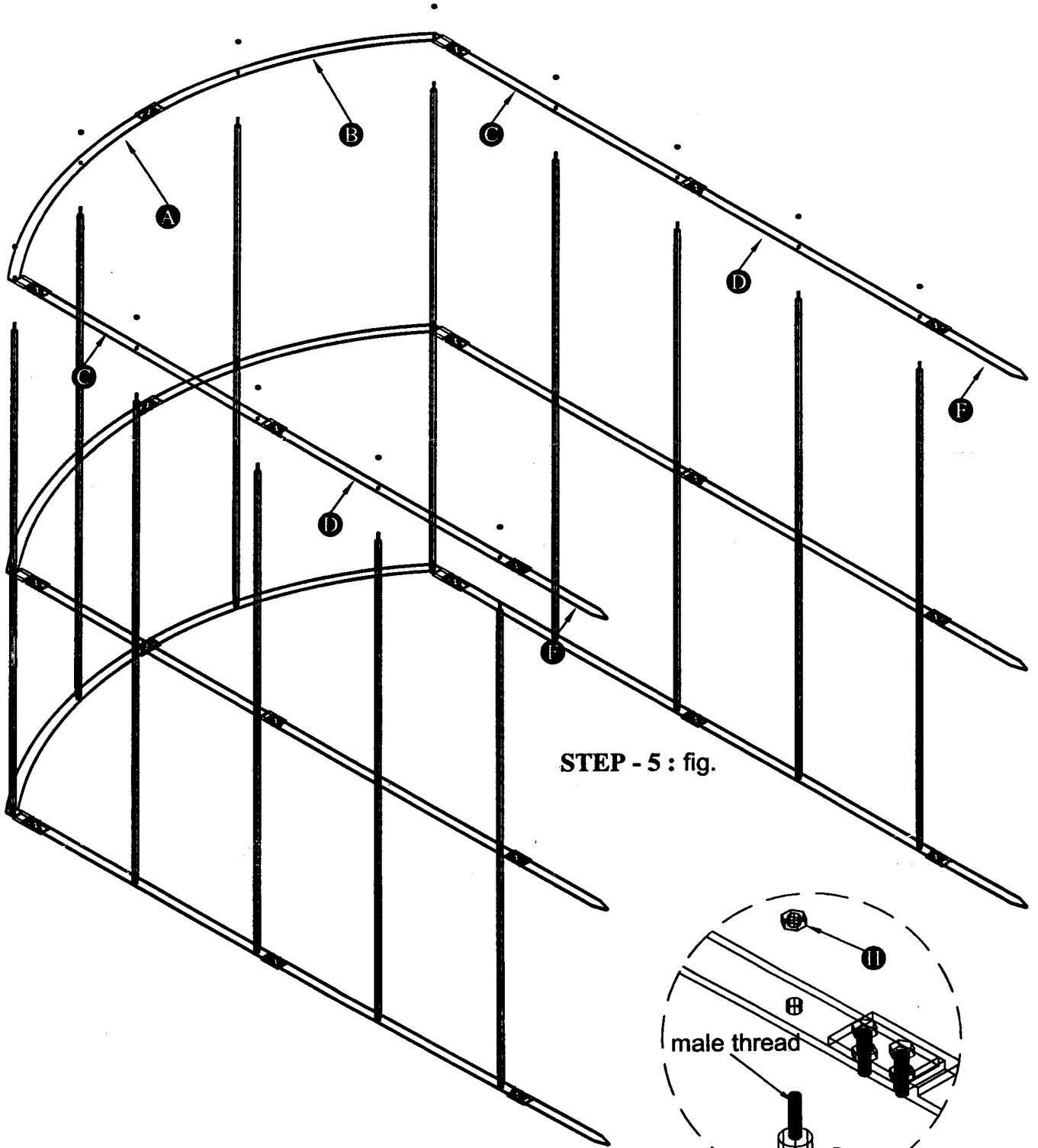


STEP - 4 : fig.

PERGOLA - ASSEMBLY INSTRUCTIONS

STEP - 5 :

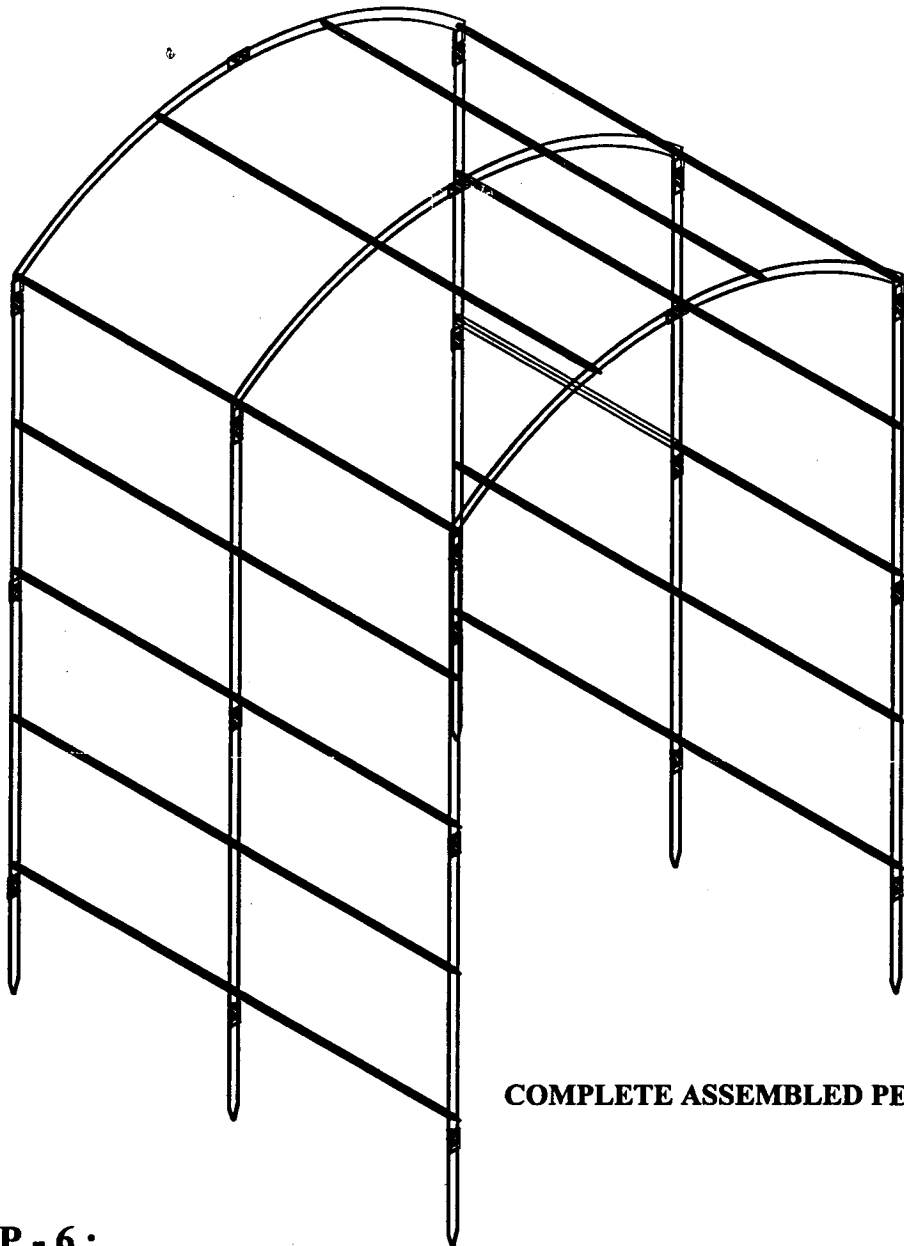
Take one more Arch Side section and put it into the Assembly as shown below.
Take 12 remaining nuts and tighten them onto the thread of the horizontal, thus securing the 3rd arch in place



STEP - 5 : fig.

STEP - 5 : fig.

PERGOLA - ASSEMBLY INSTRUCTIONS



COMPLETE ASSEMBLED PERGOLA

STEP - 6 :

With two or more people , turn pergola upright and move to final position.
Use weight of pergola to push ground anchors into the earth

Note:

Extension kits are available to increase the length , as desired

Contact Us
Call Toll Free (24 hours a day)
1-800-733-4146
Customer Service (Monday-Friday, 9am-5pm EST)
1-800-733-4129
E-mail : kinsco@kinsmangarden.com