

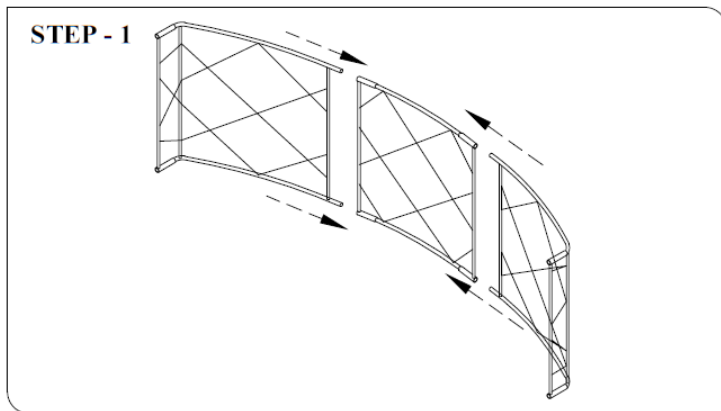


## SOLID ROD MONET ARCH WITH LATTICE

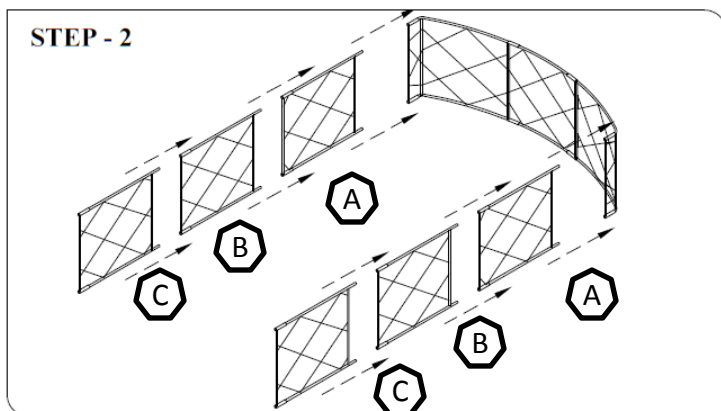
### Assembly & Set up

Component list	Image	Qty.
<b>A</b> Top frame Left & Right		02
<b>B</b> Top frame Center		01
<b>C</b> Side frame Left & Right- (A)		02
<b>D</b> Side frame Left & Right- (B)		02
<b>E</b> Side frame Left & Right- (C)		02
<b>F</b> Feet / Rod		04

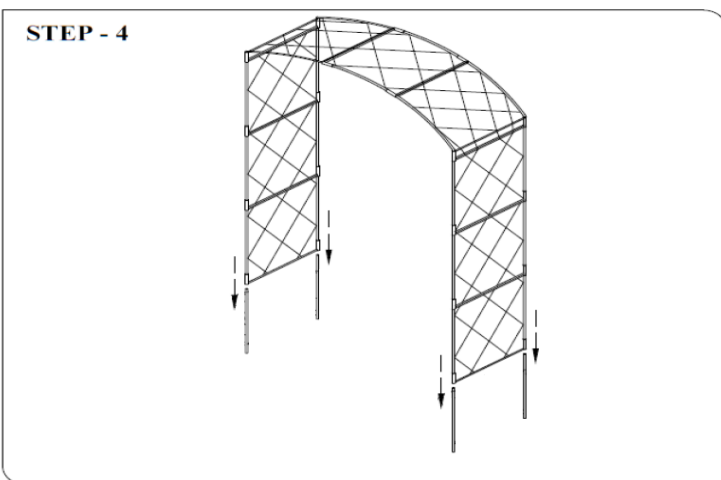
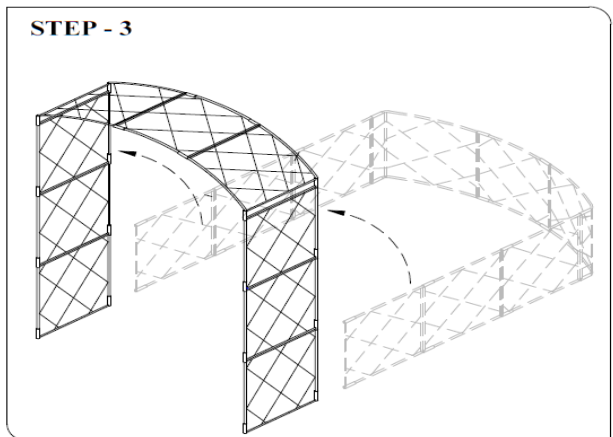
**STEP - 1 :** *Unpack carton. Check all items with the listing Charts on component list. Fit top left ,Rights & center with each other as shown in fig.*



**STEP - 2 :** *Fit side panels A,B & C on both sides as shown in fig.*



**STEP - 3 :** *Lift assembly piece to an upright position & grout feet – (F) in ground.*



**STEP - 4 :** *Feet / Rod assembled with Arbor frame and Pushed in grouted as per required depth .*